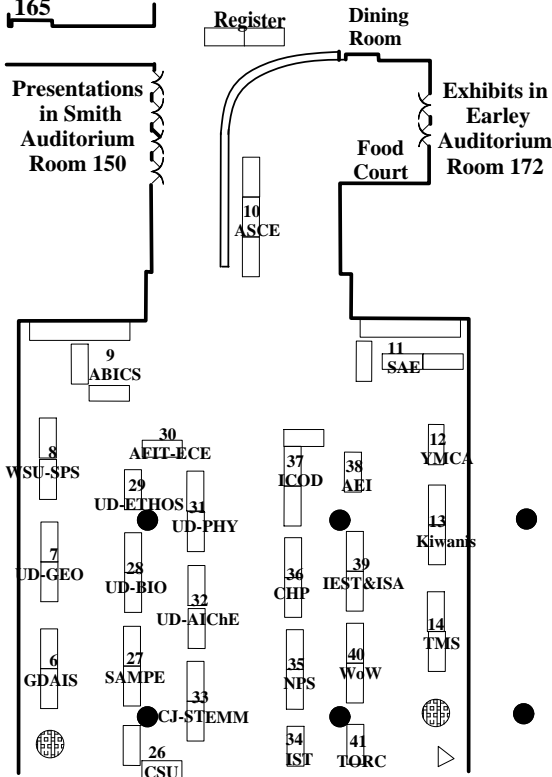


Engineers and Scientists  
Hall of Fame  
165

North Entrance

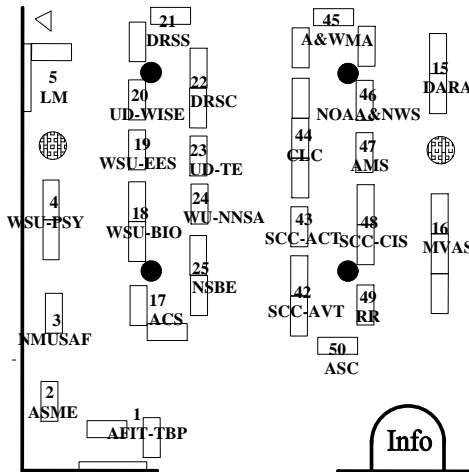


West Entrance  
Campus

Great Hall

East Entrance  
Perry St.

Driveway



Final Layout  
6 Feb 2012

Scale:  
8 ft by 8 ft  
Area

131 131 133

H1 ASQ H2 IIE

South Hallway

H5 UD-EO H6 DMA with DACW H7 DLUG H8 OHDELA

